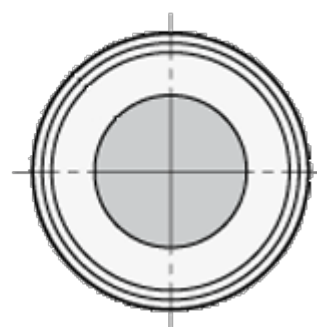
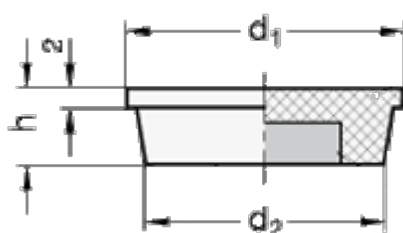


Article number: 20531ND40WS

Description: E+G Magnet GN 53.1-ND-40-WS, Plastic housing  
Neodym, iron, boron, 80°C

## Measures

---



d1	= 40
d2	= 36
h	= 8.0
Holding force N	= 35